



FIXTURE TYPE: \_\_\_\_\_

PROJECT NAME: \_\_\_\_\_



**GENERAL INFORMATION:**

Litup is LED inground light, available in square and round forms, offers stylish illumination options. Crafted from durable die-casting aluminum with sleek stainless steel finishes, Litup ensures longevity and aesthetic appeal. With a focused 24° beam angle and R7 reflector, it delivers uniform lighting. Supporting dimming, it offers brightness control. With an IK rating of 06, Litup guarantees durability in various settings.

**FIXTURE TYPE:**

Inground Luminaire - Compact/Mini

**LIGHTING:**

LED

LED

**VOLTAGE:**

110-277V



**MATERIAL:**

12# Die-casting aluminium powder coated

**CRI:**

80

**IP RATING:**

IP 67

IP67

**IK RATING:**

IK 06

sales@gordonbullard.com  
www.bullardoutdoor.com  
1-877-964-4646

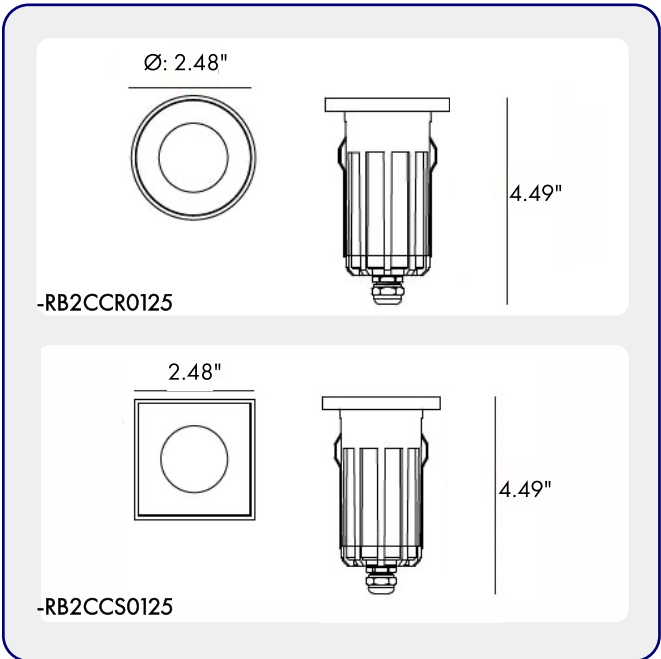


991 South Gull Lake Dr  
Richland, MI 49083  
USA

FIXTURE TYPE: \_\_\_\_\_

PROJECT NAME: \_\_\_\_\_

NOTES:



**HOW TO ORDER:**

**CODE:**

Example:  
CODE: BO-LT-KPG-IL-XXX-XXX-XXX-XXX-XXX-XXX

BO-LT-KPG-IL-RB2CCR0125-K30-B-R7-18-B02-

**1 MODELS:**

CODE -RB2CCR0125

DIMENSIONS:

Diameter - Ø: 2.48" (6.3 cm)  
Height - H: 4.49" (11.4 cm)

LIGHT SOURCE:

LED / 1 x 5W / 265 mA / 553 lm / IK 06 / 110-277V

CODE -RB2CCS0125

DIMENSIONS:

Width - W: 2.48" (6.3 cm)  
Height - H: 4.49" (11.4 cm)

LIGHT SOURCE:

LED / 1 x 5W / 265 mA / 553 lm / IK 06 / 110-277V

**2 CCT OPTIONS:**

-K30 3000K  
-CUS Custom on request\*

**3 WATER PROOF SOLUTION: (optional)**

-B **A Water-Stopper(Included)**  
IP-67 water-stopper is added in the end of luminaires as standard assembly which is also an important system for water resistance.



**B IP67 Jiffy quick plug/socket connector(Optional)**  
IP-67 connector is as an Optional assembly and ensures that water vapor will not enter into luminaires directly.

**4 OPTICS:**

-R7-18	18°	-R7-18	18°
-R7-24	24°	-R7-24	24°
-R7-32	32°	-R7-32	32°

sales@gordonbullard.com  
www.bullardoutdoor.com  
1-877-964-4646



991 South Gull Lake Dr  
Richland, MI 49083  
USA

FIXTURE TYPE: \_\_\_\_\_

PROJECT NAME: \_\_\_\_\_

NOTES:



**HOW TO ORDER:**

**CODE:**

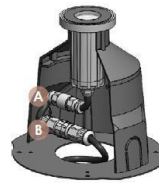
Example:  
CODE: BO-LT-KPG-IL-XXX-XXX-XXX-XXX-XXX-XXX

BO-LT-KPG-IL-RB2CCR0125-K30-B-R7-18-B02-

**5 ACCESSORIES:**

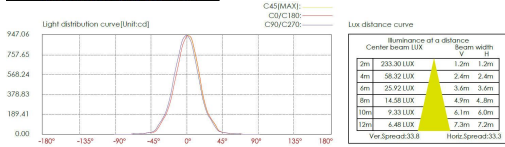
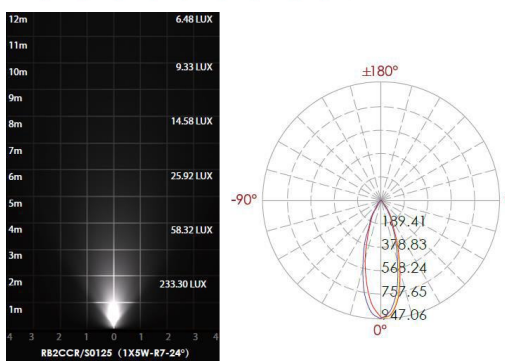
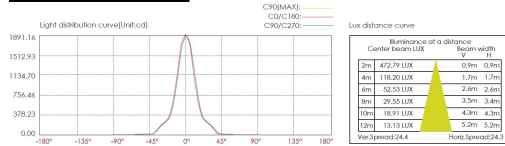
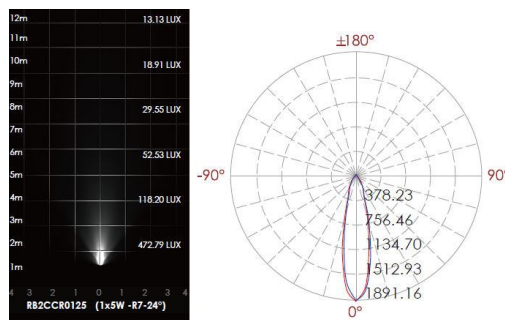
**SLEEVE (OPTION 1)**

**SLEEVE (OPTION 2)**



- B02
- RB2CCR0125
- 087#
- RB2CCR0125
- B03
- RB2CCS0125
- 088#
- RB2CCS0125

**6 PHOTOMETRIC INFO:**



sales@gordonbullard.com  
www.bullardoutdoor.com  
1-877-964-4646



991 South Gull Lake Dr  
Richland, MI 49083  
USA