

NORIE

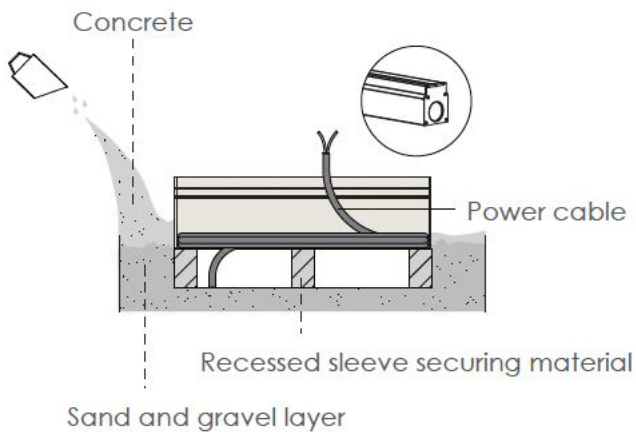


Data Sheet:

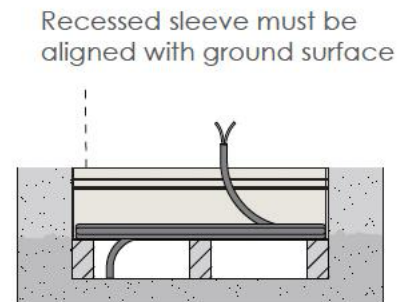
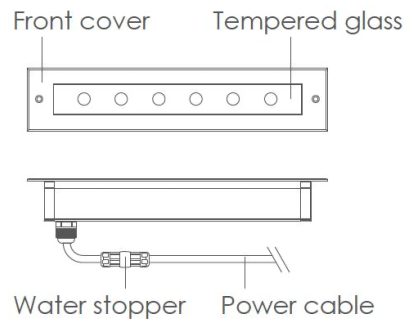
Input Voltage (V): 110-277
 IK 09

3. Installation steps

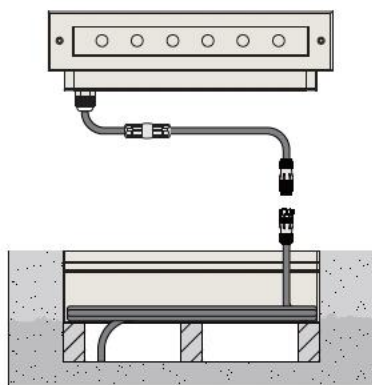
Step 1



Step 2



Step 3



Step 4

