



ILLUMINATED FURNITURE

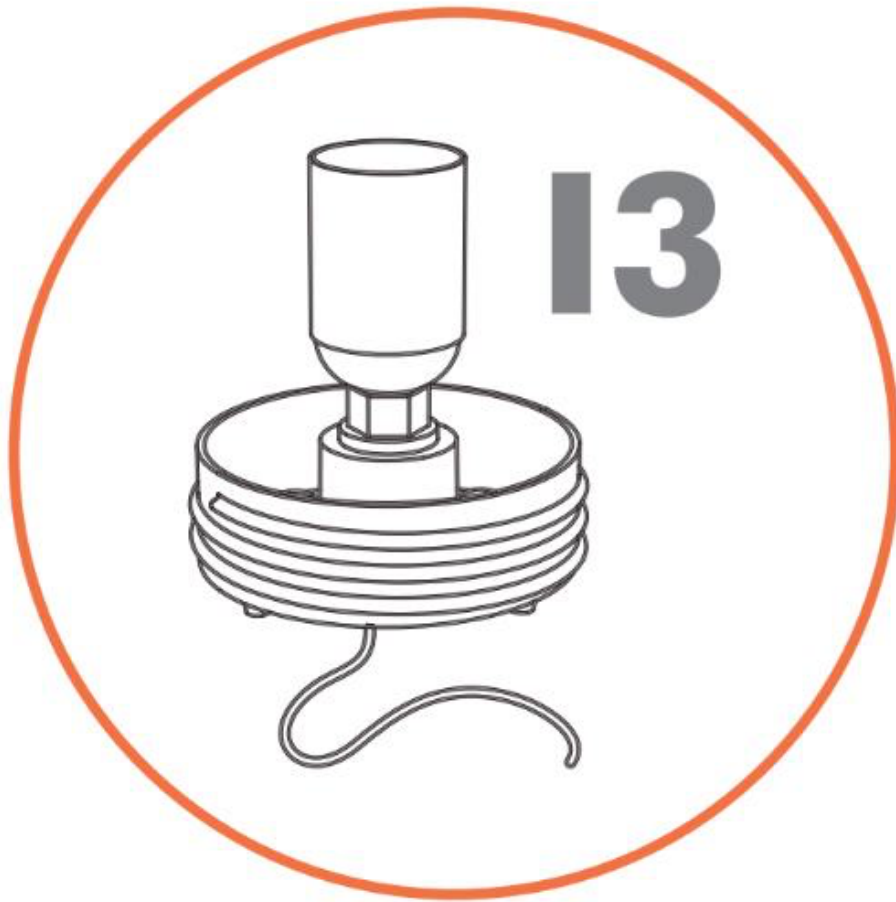
INSTALLATION TYPE:
SURFACE-MOUNT

E26



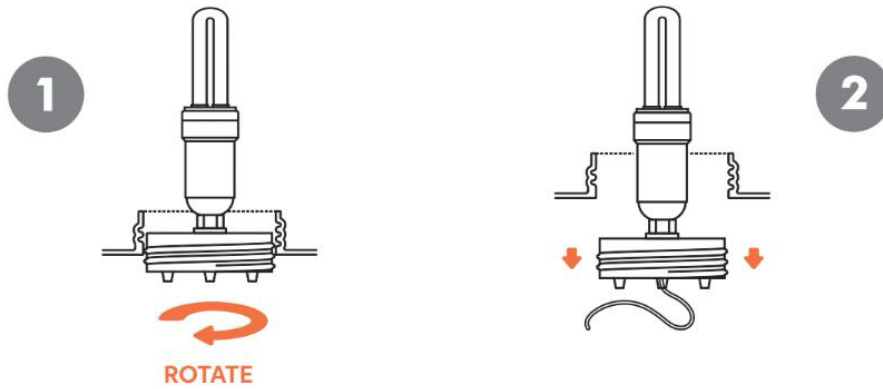
IP55

IP54

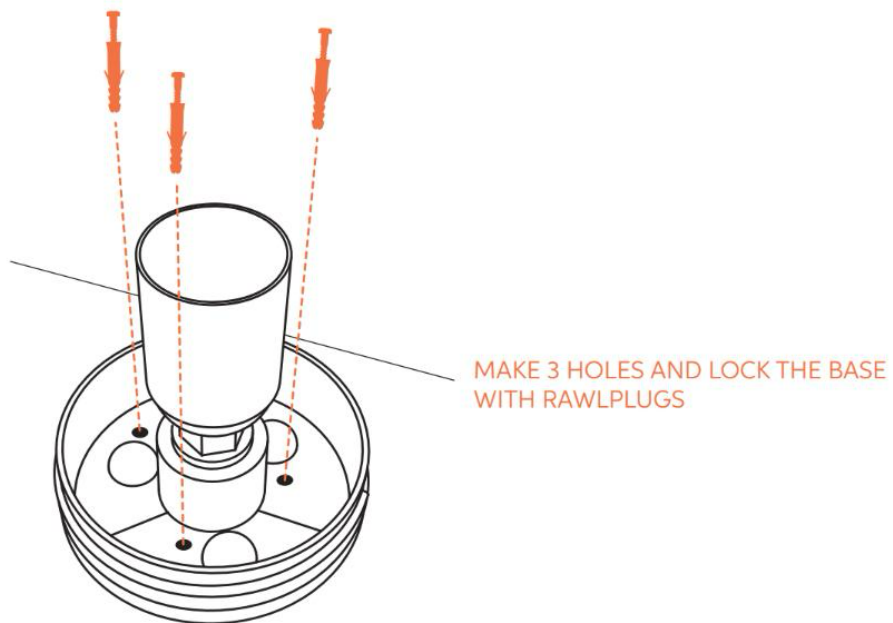


13
BASE MODEL

BULB REPLACEMENT



SYSTEM FOR FLOOR/WALL MOUNTING





CANDY LIGHT
INFRARED RGBW LED MODULE

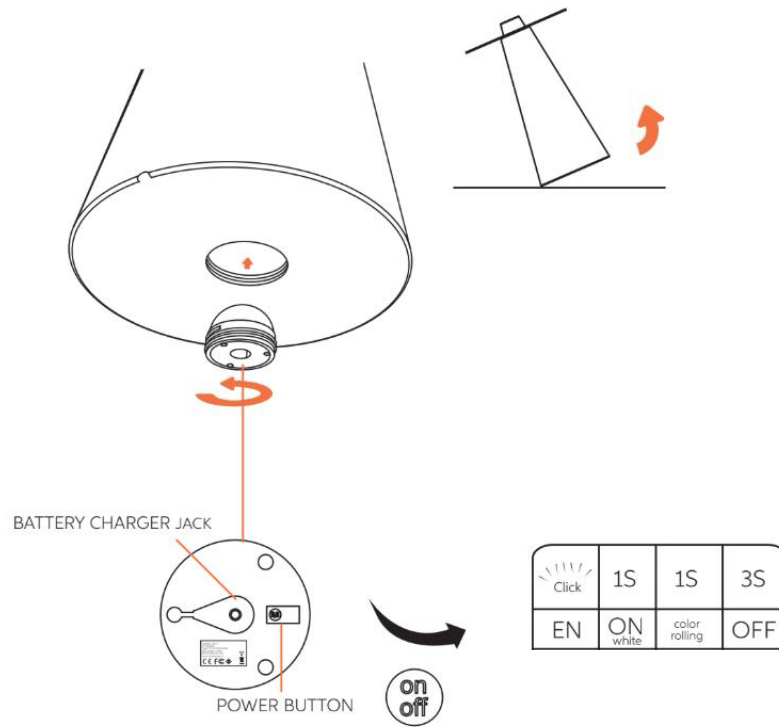
P. 4

sales@gordonbullard.com
www.bullardoutdoor.com
1 877-964-4646



991 South Gull Lake Dr.
Richland, MI 49083
USA

CANDY LIGHT MODULE PLACEMENT



CANDY LIGHT REMOTE CONTROL

