



FIXTURE TYPE: \_\_\_\_\_

PROJECT NAME: \_\_\_\_\_

NOTES:



**GENERAL INFORMATION:**

With its royal and majestic presence, Sir of Love table could turn every evening into a gala event. Sir of Love table transforms every opportunity into a real black-tie event. Its four arched legs are rich in details, as the typical Italian baroque style, and it is made in polyethylene, a contemporary and pop material. The top is available in white HPL, for a more ironic look, or in smoked tempered glass, which gives more elegance to the product. Design of Love collection becomes richer thanks to Sir of Love table, ideal for contract and events, both for indoor and outdoor.

**FIXTURE TYPE:**

Non-Illuminated Furniture / Table

**MATERIAL:**

Polyethylene+Tempered glass+HPL

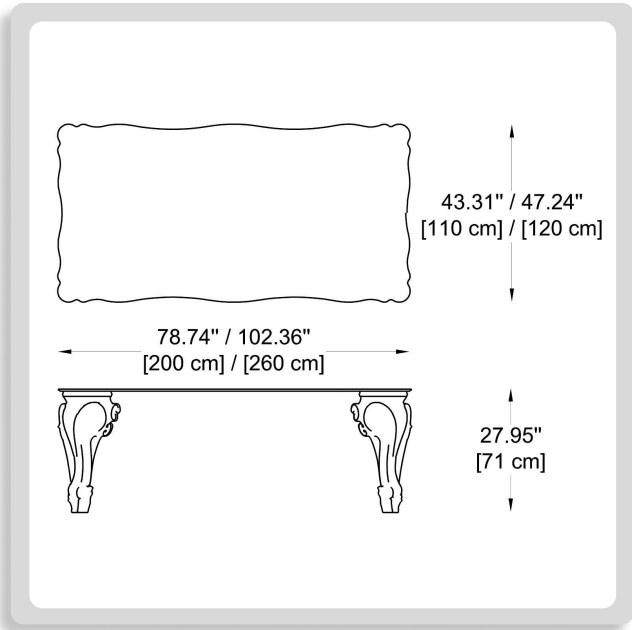
**LOCATION:**

Outdoor

FIXTURE TYPE: \_\_\_\_\_

PROJECT NAME: \_\_\_\_\_

NOTES:



**HOW TO ORDER:**

**CODE:**

Example:  
CODE: BO-SIV-SD-200-MW

BO-SIV-SD-200-MW

**1 MODELS:**

- 200 L: 78.74" (200 cm) x W: 43.3" (110 cm) x H: 27.9" (71 cm)
- 260 L: 102.3" (260 cm) x W: 47.2" (120 cm) x H: 27.9" (71 cm)

**2 FINISH OPTIONS:**

**STANDARD COLOURS:**

-MW	Milky White		-PB	Powder Blue	
-JB	Jet Black		-MG	Malva Green	
-EG	Elephant Grey		-LG	Lime Green	
-CB	Chocolate Brown		-SY	Saffron Yellow	
-AG	Argil Grey		-PO	Pupmkin Orange	
-DG	Dove Grey		-FR	Flame Red	
			-SF	Sweet Fuchia	

**LACQUERED (GLOSSY)**

-AW-G	Absolute White	
-GB-G	Glamour Black	
-VG-G	Vanity Grey	
-CI-G	Charming Ivory	
-SR-G	Supreme Red	
-MD-G	Metallic Gold	
-MS-G	Metallic Silver	
-MC-G	Metallic Copper	

**LACQUERED (MATT)**

-AW-M	Absolute White	
-GB-M	Glamour Black	
-VG-M	Vanity Grey	
-CI-M	Charming Ivory	
-SR-M	Supreme Red	
-MD-M	Metallic Gold	
-MS-M	Metallic Silver	
-MC-M	Metallic Copper	

**3 ACCESSORIES: (included)**

- Tabletop glass (for 200 model)
- Tabletop HPL (for 260 model)