



**BULLARD
OUTDOOR**
BUILT for the STORM

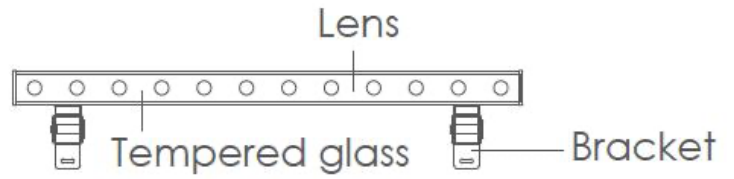
INSTALLATION INSTRUCTION
03/12/2026

SENTO

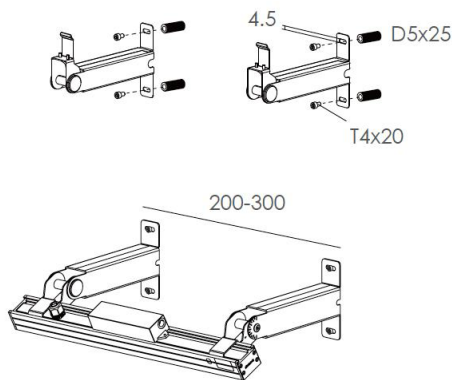


Data Sheet:

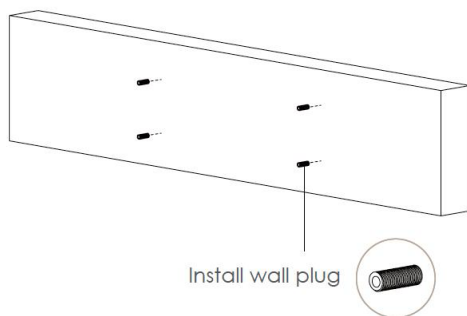
Input Voltage (V): 110-277
 IK 06



INSTALLATION STEPS:



Step 1



Step 2

