



BULLARD
OUTDOOR
BUILT for the STORM

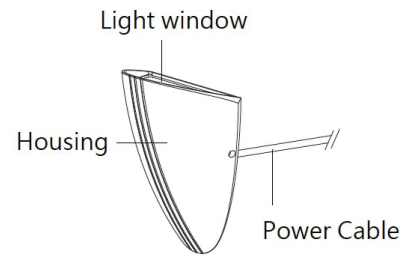
INSTALLATION INSTRUCTION
03/02/2026

EMBER



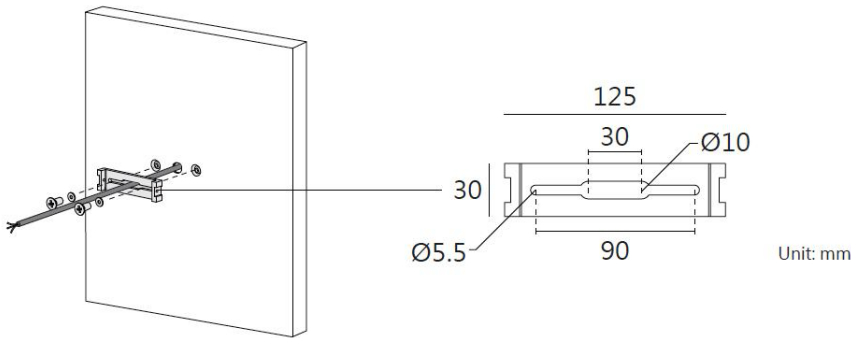
Data Sheet:

Input Voltage (V): 110-277
 IK 05



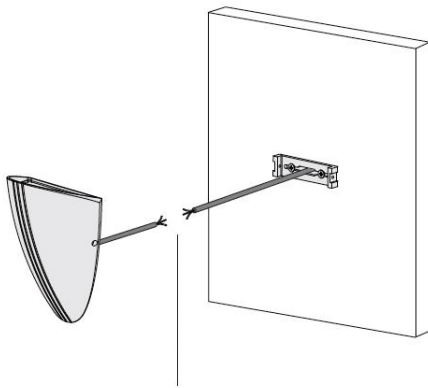
Installation steps

Step 1



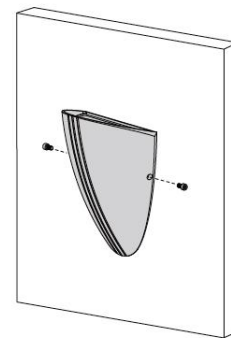
Secure the wall bracket

Step 2



Connect the power cable

Step 3



Install the light fixture on the wall