



FIXTURE TYPE: _____

PROJECT NAME: _____

NOTES:



GENERAL INFORMATION:

Banana Leaf is a large-scale hanging lamp with a bold yet understated presence. Its stylised form recalls the generous shape of banana leaves, evoking shade, calm, and a sense of escape. It emits a soft, even light that enhances the veined surface, creating strong scenic impact in outdoor settings. Used as a standalone statement or in modular compositions, Banana Leaf also comes in a wall-mounted version and as a coloured, non-illuminated decorative element.

FIXTURE TYPE:

Pendant

VOLTAGE:

110-277V



MATERIAL:

Polyethylene, Satin brass

LIGHTING:

LED



IP RATING:

IP 54

APPLIANCE CLASS:

III

MATT LACQUERED (METAL CEILING CAP):

Absolute White

MAIN FEATURES:

- High visual comfort
- Available in a wide range of finishes
- Functional and minimalistic design
- Shock-resistant construction

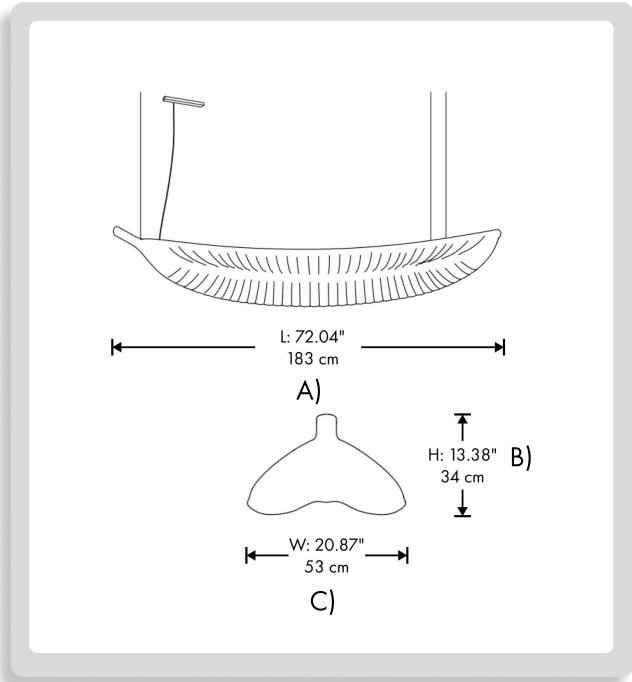
sales@gordonbullard.com
www.bullardoutdoor.com
1-877-964-4646



991 South Gull Lake Dr
Richland, MI 49083
USA

FIXTURE TYPE: _____

PROJECT NAME: _____



HOW TO ORDER:

CODE:

**Example:
CODE: BO-LP-BNN-SD-K30-LW-DIM**

**BO-LP-BNN-
SD-K30-LW-
DIM**

1 DIMENSIONS:

A) Length -	L:	72" (183 cm)
B) Height -	H:	13.38" (34 cm)
C) Width -	W:	20.87" (53 cm)

2 LIGHT SOURCE:

LED / 29W

3 CCT:

-K30 3000K
-K40 4000K

4 LIGHTING COLOURS:

-LW Light White ○
-LV Light Vanilla ○

5 DIMMING OPTIONS:

-DIM 0-10V
-NON Non Dimmable
-CAS Casambi
-LUT Lutron

sales@gordonbullard.com
www.bullardoutdoor.com
1-877-964-4646



991 South Gull Lake Dr
Richland, MI 49083
USA