



FIXTURE TYPE: \_\_\_\_\_

PROJECT NAME: \_\_\_\_\_

-BODWC0369



-BODWC0469



-BODWC0569



**GENERAL INFORMATION:**

THE BITTERN by Bullard Outdoor blends architectural presence with dependable outdoor performance. Defined by a tall, minimal pole and adjustable cylindrical spotlight heads, its clean, utilitarian design is ideal for parking areas, plazas, pathways, and large-scale architectural exteriors. The multi-head configuration allows for targeted illumination across wide outdoor spaces.

Constructed from die-cast aluminum with a durable powder-coated finish, THE BITTERN is engineered for long-term outdoor use with excellent corrosion resistance. It features efficient LED lighting delivering controlled, focused light with a CRI of 80. Designed to operate on 110–277V, it offers reliable protection with an IP65 weather rating and IK07 impact resistance. Available in sanded black and dark gray finishes.

**FIXTURE TYPE:**

Urban Pole Luminaires

**LIGHTING**

LED **LED**

**VOLTAGE:**

110-277V 

**MATERIAL:**

Die-casting aluminum finishing

**LENS:**

B57

**CRI:**

80

**IP RATING:**

IP 65 **IP65**

**IK RATING:**

IK 07

**BUILT FOR THE STORM**

sales@gordonbullard.com  
www.bullardoutdoor.com  
1-877-964-4646



991 South Gull Lake Dr  
Richland, MI 49083  
USA

FIXTURE TYPE: \_\_\_\_\_

PROJECT NAME: \_\_\_\_\_

NOTES:

-BODWC0369



-BODWC0469



-BODWC0569



**LED**

110-277V



**IP65**

**HOW TO ORDER:**

**CODE:**

Example:  
CODE: BO-ST-KPG-PL-BODWC0369-K30-KAP7037-DIM-B15-A1-IB

BO-ST-KPG-PL-  
BODWC0369-K30-  
KAP7037-DIM-B15-A1-IB

1

**MODELS:**

CODE -BODWC0369

DIMENSIONS:

Pole Base - B: 2.36" (6 cm)X2.36" (6 cm)  
Height - H: 78.74" (200 cm)

LIGHT SOURCE:

LED / 48 W / 210 mA / 4272 lm / 110-277V

CODE -BODWC0469

DIMENSIONS:

Pole Base - B: 2.36" (6 cm)X2.36" (6 cm)  
Height - H: 98.43" (250 cm)

LIGHT SOURCE:

LED / 64 W / 280 mA / 5696 lm / 110-277V

CODE -BODWC0569

DIMENSIONS:

Pole Diameter - B: 2.36" (6 cm)X2.36" (6 cm)  
Height - H: 118.11" (300 cm)

LIGHT SOURCE:

LED / 80 W / 350 mA / 7120 lm / 110-277V

2

**CCT OPTIONS:**

-K30 3000K  
-CUS Custom on request\*

3

**FINISH OPTIONS:**

-KAP7037 Sanded Dark Gray  
-RAL9005 Sanded Black

4

**DIMMING OPTIONS:**

-DIM 1-10V  
-PWM Pulse Width Modulation  
-DALI DALI (Digital Addressable Lighting Interface)

sales@gordonbullard.com  
www.bullardoutdoor.com  
1-877-964-4646

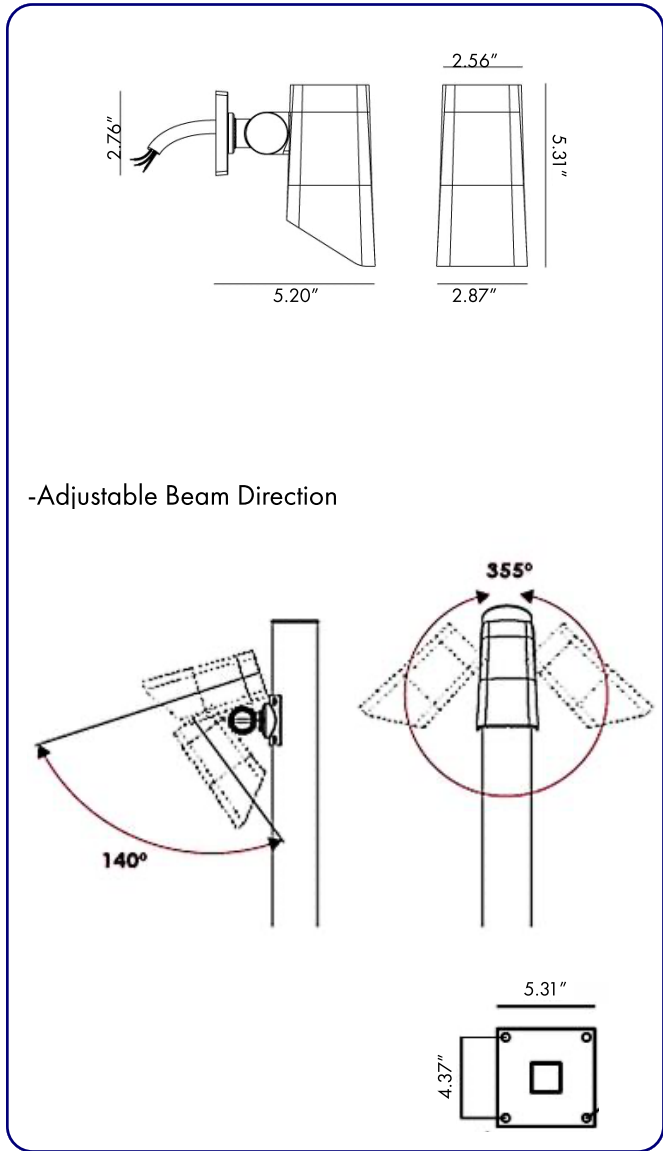


991 South Gull Lake Dr  
Richland, MI 49083  
USA

FIXTURE TYPE: \_\_\_\_\_

PROJECT NAME: \_\_\_\_\_

NOTES:



**HOW TO ORDER:**

**CODE:**

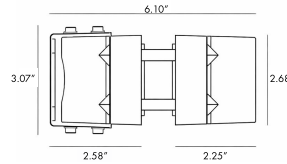
Example:  
CODE: BO-ST-KPG-PL-B0DW0369-K30-KAP7037-DIM-B15-A1-IB

BO-ST-KPG-PL-  
B0DW0369-K30-  
KAP7037-DIM-B15-A1-IB

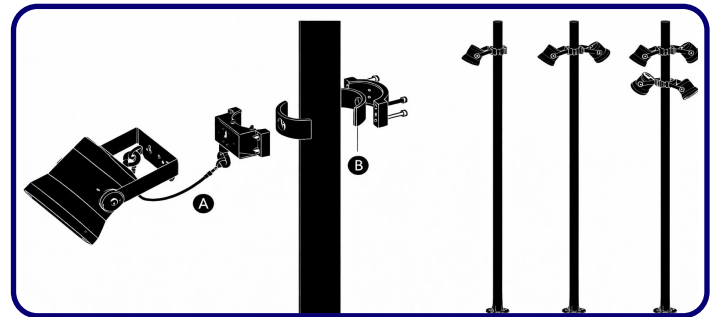
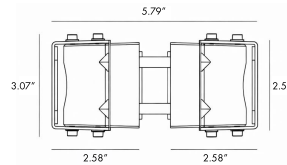
- 5 BEAM**
- B15 15°
  - B24 24°
  - B33 33°
  - B45 45°

**6 ACCESSORIES**

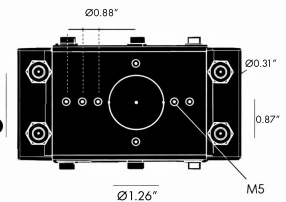
-A1 One side - BO-RP001-KPG-BL



-A2 Two sides - BO-RP002-KPG-BL



- Compatible with all brands and models.
- Safety hook(s) included (see A of image 1)
- Two sizes of rubber gaskets included (see B of image 1) which can be selected based on the diameter of the installing pole. Please refer to the manual for details.
- All stainless steel 304# screws



sales@gordonbullard.com  
www.bullardoutdoor.com  
1-877-964-4646



991 South Gull Lake Dr  
Richland, MI 49083  
USA

FIXTURE TYPE: \_\_\_\_\_

PROJECT NAME: \_\_\_\_\_

NOTES:

-BODWC0369



-BODWC0469



-BODWC0569



**LED**
**110-277V**
 **IP65**

**HOW TO ORDER:**

**CODE:**

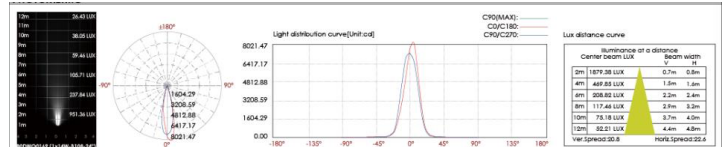
Example:  
 CODE: BO-ST-KPG-BL-BODWC0369-K30-KAP7037-DIM-B15-A1-IB

BO-ST-KPG-B-  
 BODWC0369-K30-  
 KAP7037-DIM-B15-A1-IB

**7 INSTALLATION TYPE:**

- SB Screw Base (included)
- IB Inground Base (optional)
- GAB Ground Anchor Base (optional)

**8 PHOTOMETRIC INFO:**



sales@gordonbullard.com  
 www.bullardoutdoor.com  
 1-877-964-4646



991 South Gull Lake Dr  
 Richland, MI 49083  
 USA