



**BULLARD
OUTDOOR**
BUILT for the STORM

INSTALLATION INSTRUCTION
01/15/2026

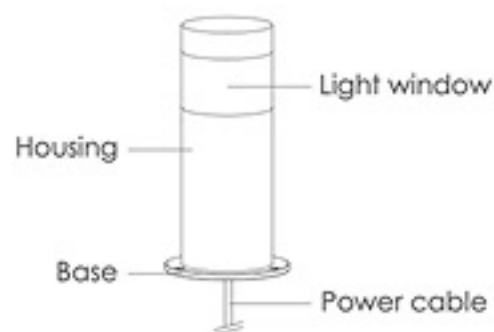
THE ABETO

INSTALLATION TYPE: ANCHOR MOUNT

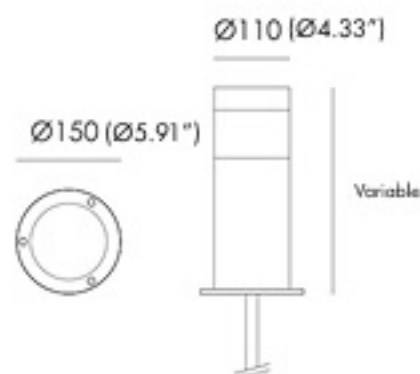


1. EXTERIOR DETAILS

1.1 Luminaire



1.2 Dimension



1.3 Inground Base (Optional)



Data Sheet:

Input Voltage (V): 110-277

IK: 07

P.2

sales@gordonbullard.com
www.bullardoutdoor.com
1 877-964-4646

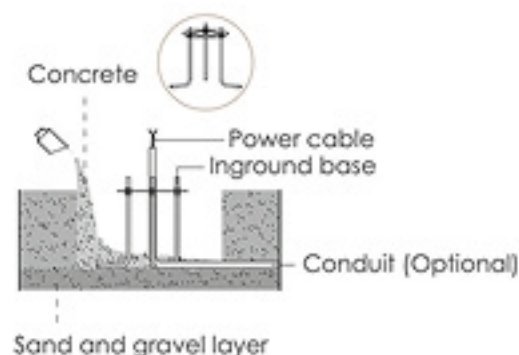


991 South Gull Lake Dr.
Richland, MI 49083
USA

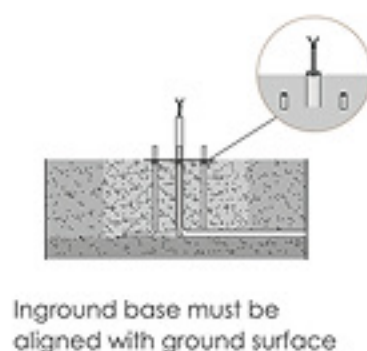


INSTALLATION OPTION 1: Anchor Mounted

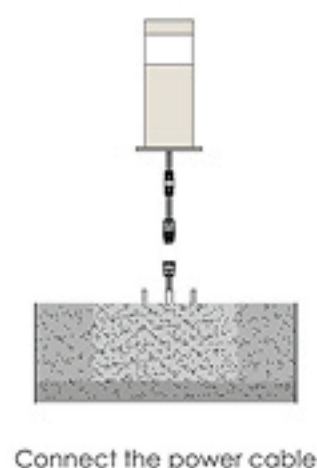
Step 1



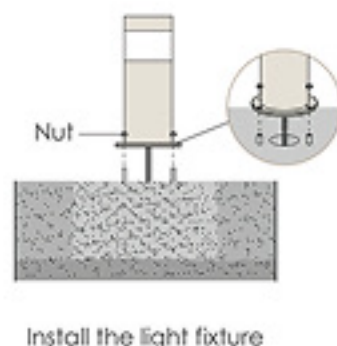
Step 2



Step 3

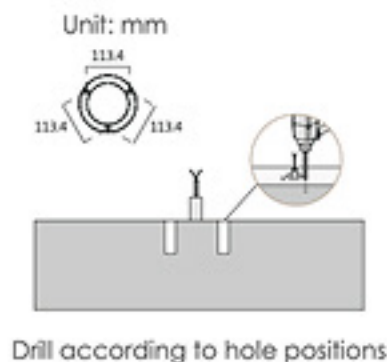


Step 4

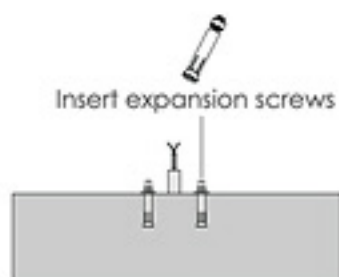


INSTALLATION OPTION 2: Surface Mounted

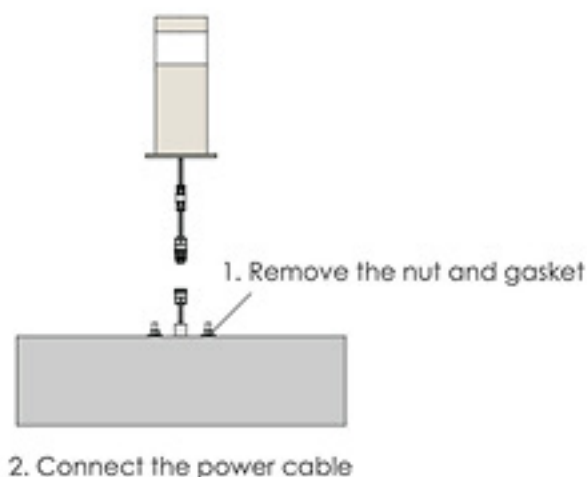
Step 1



Step 2



Step 3



Step 4

