



FIXTURE TYPE: \_\_\_\_\_

PROJECT NAME: \_\_\_\_\_



**GENERAL INFORMATION:**

The ASPEN Bollard by Bullard Outdoor delivers a balance of modern design and reliable performance for outdoor environments. Built from die-cast aluminum with a durable powder-coated finish, it ensures strength, stability, and long-term resistance to weather and corrosion. Its PMMA lens provides clean, consistent illumination ideal for pathways, landscapes, and architectural spaces. Operating on a universal 110–277V input, the ASPEN Bollard features LED efficiency, a CRI of 80, IP65 weatherproof protection, and IK07 impact resistance. Available in sanded bronze, dark gray, and black finishes

**FIXTURE TYPE:**

Bollard

**LIGHTING**

LED

LED

**VOLTAGE:**

110-277V

110-277V

**MATERIAL:**

Die-casting powder coated aluminum

**LENS:**

PMMA

**CRI:**

80

**IP RATING:**

IP 65

IP65

**IK RATING:**

IK 07

**FINISHING:**

Sanded Bronze  
Sanded Dark Gray  
Sanded Black

**BUILT FOR THE STORM**

sales@gordonbullard.com

www.bullardoutdoor.com

1-877-964-4646



991 South Gull Lake Dr

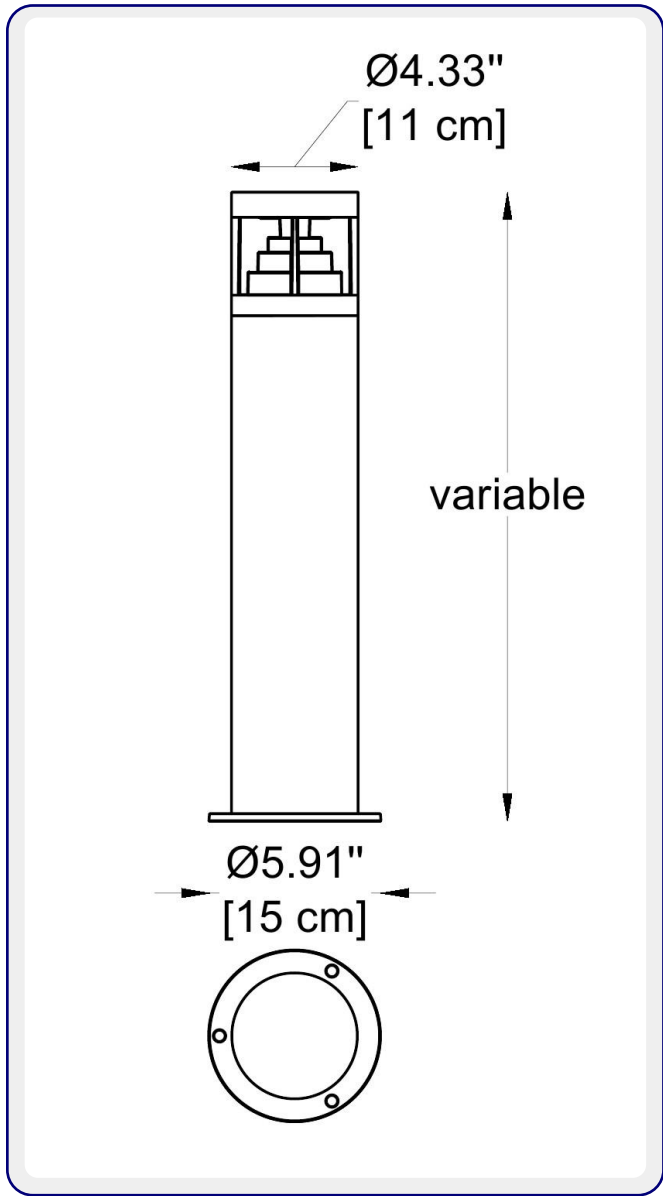
Richland, MI 49083

USA

FIXTURE TYPE: \_\_\_\_\_

PROJECT NAME: \_\_\_\_\_

NOTES:



**HOW TO ORDER:**

**CODE:**

Example:  
CODE: BO-ASP-KPG-BL-XXX-XXX-XXX-XXX

BO-ASP-KPG-BL-  
D9EFL2434-K30-  
KAP7008-DIM-IB

**1 MODELS:**

CODE -D9EFL2434

DIMENSIONS:

Diameter - Ø: 4.33" (11 cm)  
Height - H: 11.81" (30 cm)  
Base plate - Ø: 5.91" (15 cm)

CODE -D9EFM2434

DIMENSIONS:

Diameter - Ø: 4.33" (11 cm)  
Height - H: 21.65" (55 cm)  
Base plate - Ø: 5.91" (15 cm)

CODE -D9EFH2434

DIMENSIONS:

Diameter - Ø: 4.33" (11 cm)  
Height - H: 31.5" (80 cm)  
Base plate - Ø: 5.91" (15 cm)

**2 LIGHT SOURCE:**

LED / 6.7W / 95 mA / 127 lm / 110-277V

**3 CCT OPTIONS:**

-K30 3000K  
-CUS Custom on request\*

**4 FINISH OPTIONS:**

-KAP7008 Sanded Bronze  
-KAP7037 Sanded Dark Gray  
-RAL9005 Sanded Black

**5 DIMMING OPTIONS:**

-DIM 1-10V  
-PWM Pulse Width Modulation  
-DALI DALI (Digital Addressable Lighting Interface)

sales@gordonbullard.com  
www.bullardoutdoor.com  
1-877-964-4646

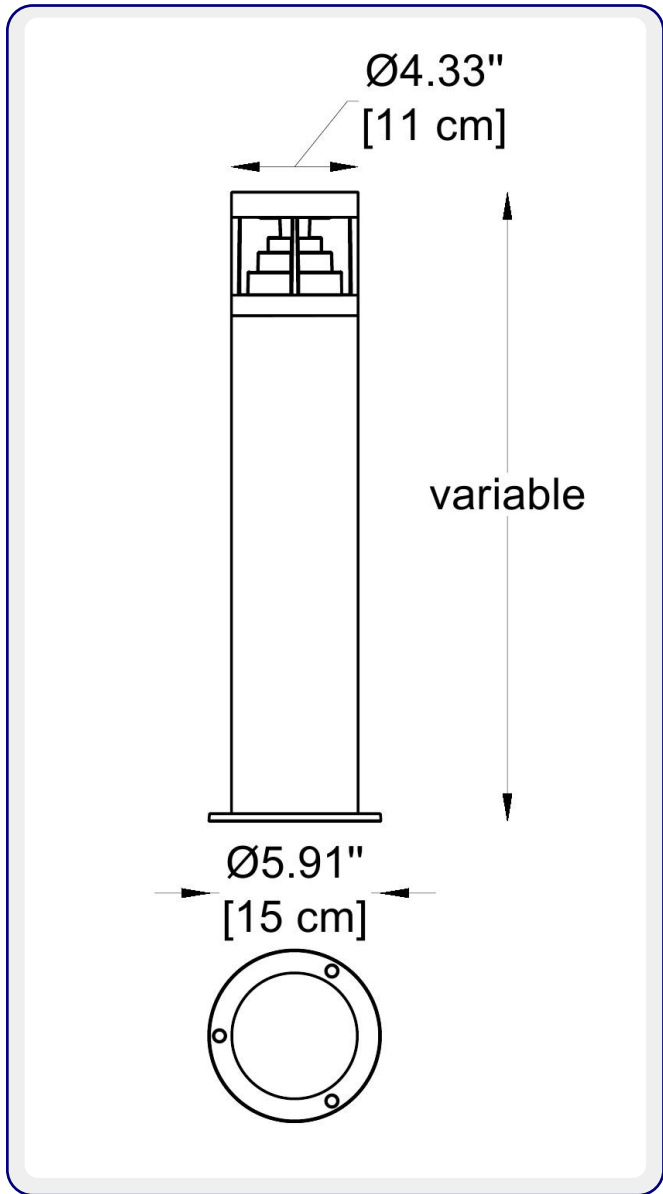


991 South Gull Lake Dr  
Richland, MI 49083  
USA

FIXTURE TYPE: \_\_\_\_\_

PROJECT NAME: \_\_\_\_\_

NOTES:



**HOW TO ORDER:**

**CODE:**

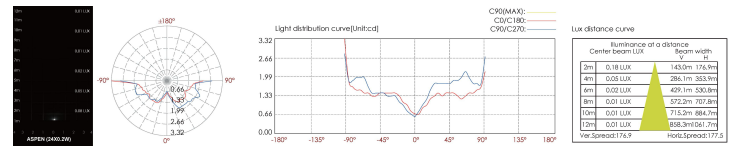
Example:  
CODE: BO-ASP-KPG-BL-XXX-XXX-XXX-XXX-XXX

BO-ASP-KPG-BL-  
D9EFL2434-K30-  
KAP7008-DIM-IB

**6 INSTALLATION TYPE:**

- SB Screw Base (included)
- IB Inground Base (optional)
- GAB Ground Anchor Base (optional)

**7 PHOTOMETRIC INFO:**



sales@gordonbullard.com  
www.bullardoutdoor.com  
1-877-964-4646



991 South Gull Lake Dr  
Richland, MI 49083  
USA