



**BULLARD  
OUTDOOR**  
BUILT for the STORM

INSTALLATION INSTRUCTION  
03/17/2026

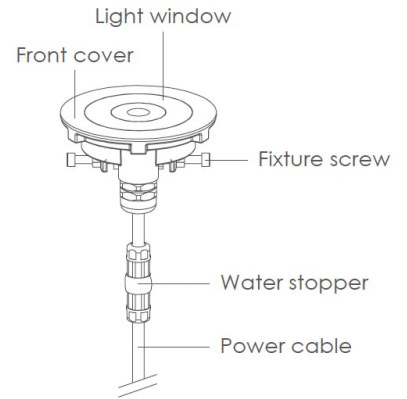
# ECLIPSE



**Data Sheet:**

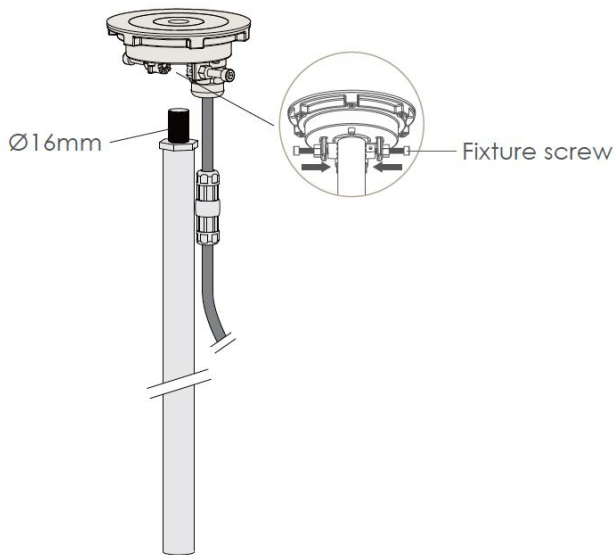
Input Voltage (V): 110-277

IK 09



**INSTALLATION STEPS:**

**Step 1**



Place the light in the location of your water feature or landscape

**Step 2**

