



FIXTURE TYPE: _____

PROJECT NAME: _____



GENERAL INFORMATION:

The Vega is an in-ground lighting fixture powered by LEDs and made from die-cast aluminum. It is available in 3 sizes and in a Sanded Black finish. The voltage range is 110-277V. The consumption is 3.1W. Additionally, this fixture could be equipped with honeycomb louver. Dimmable.

FIXTURE TYPE:

Inground Luminaires - Compact/Mini

LIGHTING:

LED

LED

VOLTAGE:

110-277V

110-277V

MATERIAL:

12# Die-casting dark grey powder coated aluminum

CRI:

80

IP RATING:

IP 67

IP67

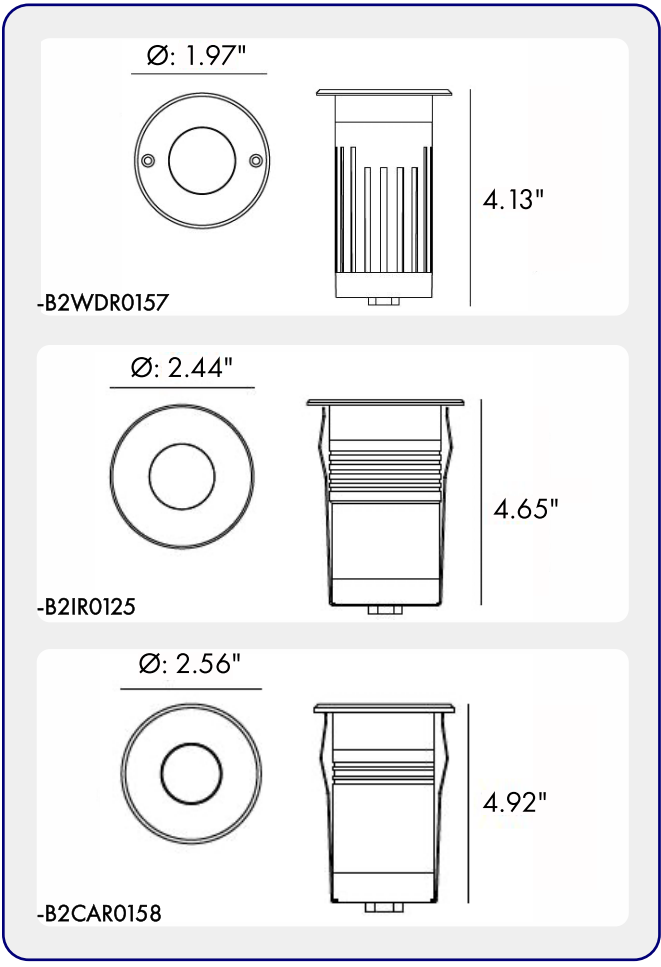
IK RATING:

IK 07 / 08

FIXTURE TYPE: _____

PROJECT NAME: _____

NOTES:



HOW TO ORDER: _____ CODE: _____

Example:
CODE: BO-VA-KPG-IL-XXX-XXX-XXX-XXX-XXX-XXX

BO-VA-KPG-IL-B2WDR0157-
K30-B33-9-DIM-

1 MODELS:

CODE -B2WDR0157

DIMENSIONS:

Diameter - Ø: 1.97" (5 cm)
Height - H: 4.13" (10.5 cm)

LIGHT SOURCE:

LED / 1 x 2W / 41 mA / 183 lm / IK 08 / 110-277V

CODE -B2IR0125

DIMENSIONS:

Diameter - Ø: 2.44" (6.2 cm)
Height - H: 4.65" (11.8 cm)

LIGHT SOURCE:

LED / 1 x 5W / 51 mA / 493 lm / IK 08 / 110-277V

CODE -B2CAR0158

DIMENSIONS:

Diameter - Ø: 2.56" (6.5 cm)
Height - H: 4.92" (12.5 cm)

LIGHT SOURCE:

LED / 1 x 3W / 45 mA / 305 lm / IK 07 / 110-277V

2 CCT OPTIONS:

-K30 3000K
-CUS Custom on request*

3 BEAM ANGLE:

available only for -Ø: 1.97" size	available only for -Ø: 2.44" size	available only for -Ø: 1.97", -Ø: 2.56" size
-B33-9 9°	-B71-15 15°	-B73-30 30°
-B33-15 15°	-B71-24 24°	
-B33-20 20°	-B71-33 33°	
-B33-45 45°	-B71-45 45°	
-B33-60 60°	-B71-60 60°	

sales@gordonbullard.com
www.bullardoutdoor.com
1-877-964-4646



991 South Gull Lake Dr
Richland, MI 49083
USA

FIXTURE TYPE: _____

PROJECT NAME: _____

NOTES:



HOW TO ORDER:

CODE:

Example:
CODE: BO-VA-KPG-IL-XXX-XXX-XXX-XXX-XXX-XXX

BO-VA-KPG-IL-B2WDR0157-K30-B33-9-DIM-

4 DIMMING OPTIONS:

- DIM 1-10V
- PWM Pulse Width Modulation
- DALI DALI (Digital Addressable Lighting Interface)

5 WATER PROOF SOLUTION: (optional)



6 ACCESSORIES:

- HONEYCOMB LOUVER (INCLUDED)
- Mh021 -Ø: 1.97"
 - Mh015 -Ø: 2.44"
 - Mh014 -Ø: 2.56"



SLEEVE (OPTION 1)

SLEEVE (OPTION 2)



- A08 -Ø: 1.97"
- A07 -Ø: 2.44"
- A06 -Ø: 2.56"

- 185# -Ø: 1.97"
- 184# -Ø: 2.44"
- 014# -Ø: 2.56"

sales@gordonbullard.com
www.bullardoutdoor.com
1-877-964-4646



991 South Gull Lake Dr
Richland, MI 49083
USA

FIXTURE TYPE: _____

PROJECT NAME: _____

NOTES:



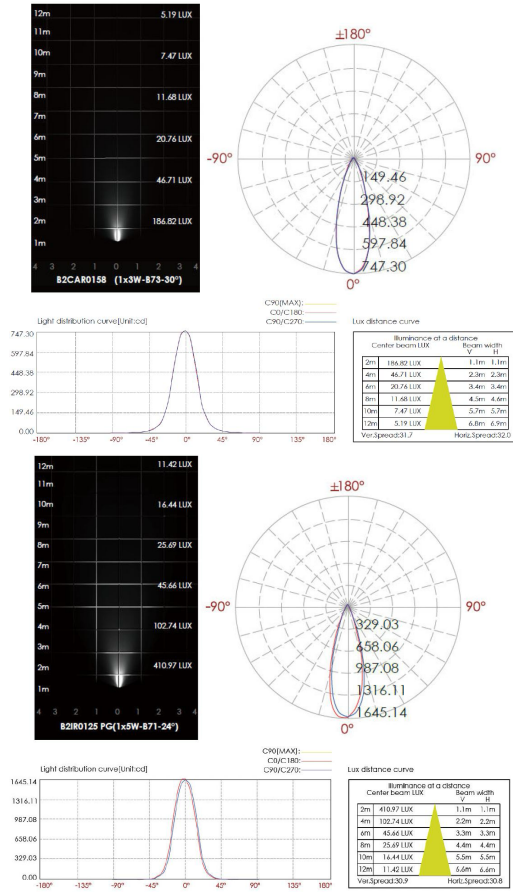
HOW TO ORDER:

CODE:

Example:
CODE: BO-VA-KPG-IL-XXX-XXX-XXX-XXX-XXX-XXX

BO-VA-KPG-IL-B2WDR0157-
K30-B33-9-DIM-

7 PHOTOMETRIC INFO:



sales@gordonbullard.com
www.bullardoutdoor.com
1-877-964-4646



991 South Gull Lake Dr
Richland, MI 49083
USA