



FIXTURE TYPE: _____

PROJECT NAME: _____



The BANE Surface Mounted Wall Luminaires – Soft Light combines contemporary styling with warm, diffused illumination perfect for exterior environments. Constructed from die-cast aluminum with a resilient powder-coated finish, it offers durability and long-term resistance to corrosion and weathering. Its PMMA lens (Ø=76mm) ensures soft, even light distribution, powered by efficient LED technology with a CRI of 80 for true color rendering. Operating on a universal 110–277V input, the BANE fixture features IP65 weather protection and IK08 impact resistance, making it ideal for entrances, pathways, and architectural walls. Available in sanded bronze, dark gray, and black finishes

FIXTURE TYPE:

Surface Mounted Wall Luminaires - Soft Light

LIGHTING

LED **LED**

VOLTAGE:

110-277V 

MATERIAL:

Die-casting powder coated aluminum

LENS:

PMMA Ø=76mm

CRI:

80

IP RATING:

IP 65 **IP65**

IK RATING:

IK 08

FINISHING:

- Sanded Bronze
- Sanded Dark Gray
- Sanded Black
- Sanded White

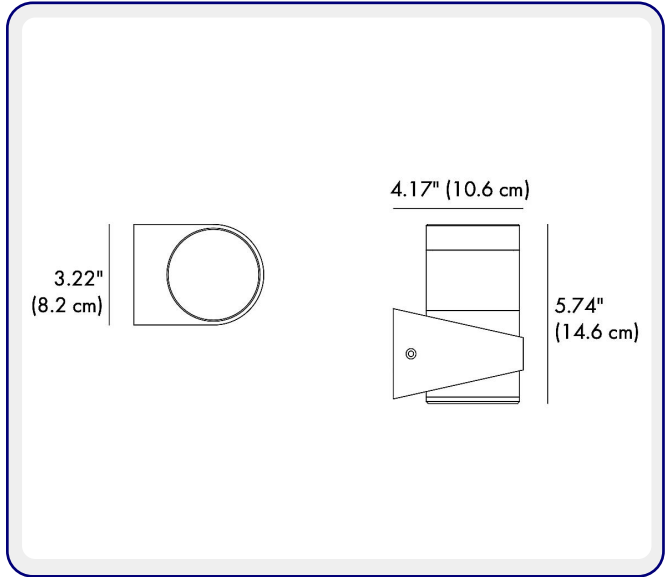
sales@gordonbullard.com
www.bullardoutdoor.com
1-877-964-4646

991 South Gull Lake Dr
Richland, MI 49083
USA

FIXTURE TYPE: _____

PROJECT NAME: _____

NOTES:



HOW TO ORDER:

CODE:

Example:
CODE: BO-BN-KPG-SMW-XXX-XXX-XXX-XXX-XXX-XX

BO-BN-KPG-SMW-
D7BD0125-K30-
KAP7008

1 MODEL:

CODE -D7BJ0125

2 DIMENSIONS:

Height - H: 5.74" (14.6 cm)
Width - W: 4.17" (10.6 cm)

3 LIGHT SOURCE:

LED / 1 x 4.5W / 230 mA / 447 lm / 110-277V

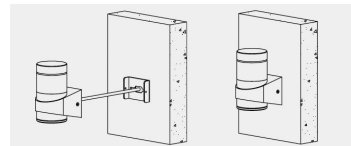
4 CCT OPTIONS:

-K30 3000K
-CUS Custom on request*

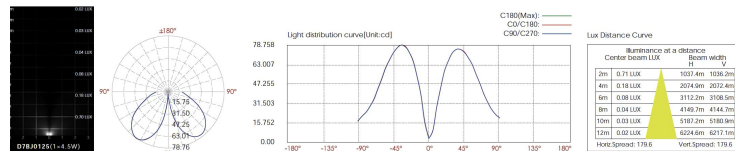
5 FINISH OPTIONS:

-KAP7008 Sanded Bronze
-KAP7037 Sanded Dark Gray
-RAL 9005 Sanded Black
-RAL9003 Sanded White

6 DIAGRAM OF INSTRUCTION:



7 PHOTOMETRIC INFO:



sales@gordonbullard.com
www.bullardoutdoor.com
1-877-964-4646



991 South Gull Lake Dr
Richland, MI 49083
USA