

SLIM



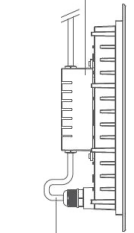
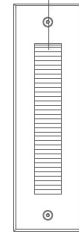
Data Sheet:

Input Voltage (V): 110-277
IK 10

Installation steps

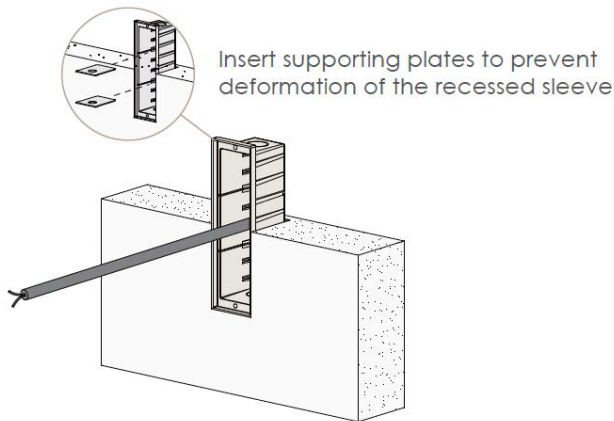
Light window

Driver



Power cable

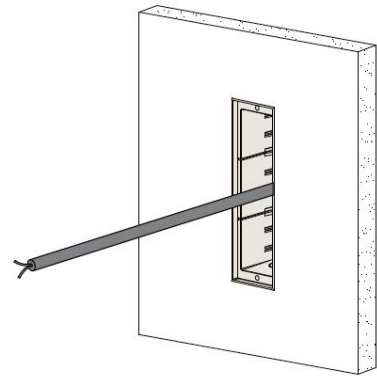
Step 1



Insert supporting plates to prevent deformation of the recessed sleeve

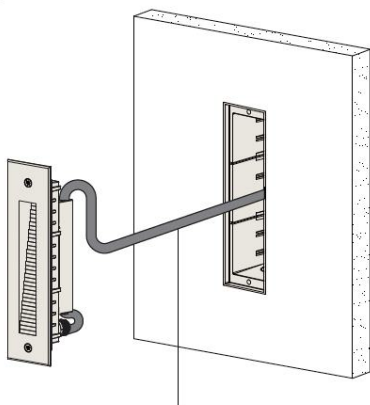
Secure the recessed sleeve

Step 2



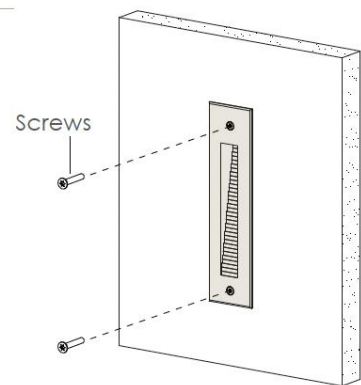
Finish the installation of concrete surface materials

Step 3



Connect the power cable

Step 4



Screws

Install the light fixture on the wall

P.2

sales@gordonbullard.com
www.bullardoutdoor.com
1 877-964-4646



991 South Gull Lake Dr.
Richland, MI 49083
USA

